

# Stemi 2000 Stereomicroscopes



**Best Optics**  
**High Resolution**  
**Super Zoom**



# Stemi 2000 - Superior through Zeiss Perfection

Stemi 2000 stereomicroscopes meet your expectations in two respects:

They offer the cost advantage of the Greenough design, while boasting surprising performance features.

## **The ultimate in 3D imaging**

Thanks to their excellent optics, Stemi 2000 stereomicroscopes provide brilliant, sharp, distortion-free and highly resolved images – even at the important low magnifications.

## **Spectacular zoom factor of 7.7**

If you are keen on minute structures, you will enjoy the 7.7:1 zoom range. Zoom in on details, either continuously or by click stops.

## **The commanding overview**

The wide field of view already offered by the basic configuration lets you overview an object area greater than 35 mm in diameter.

The 0.3x supplementary lens expands this to 118 mm.



*Quartz crystals*



*Burdock burr*





### **A Stemi 2000 triplet**

Stemi 2000 comes in three body versions to choose from, depending on your requirements:

- Stemi 2000 for stereoscopic observation only
- Stemi 2000C with photo- or videocamera port and 100/100% beam switch
- Stemi 2000CS with photo- or videocamera port and fixed 50/50% beamsplitter

### **Modular and flexible**

The modular construction of the Stemi 2000 stereomicroscopes with their sensibly designed interfaces permits a broad spectrum of uses.

Select from stands, mounting brackets and stages to configure exactly the stereomicroscope you require.

### **Light and light are not the same**

Allowing epi-, transmitted and mixed illumination techniques in bright- or darkfield, the Stemi 2000 system includes various fiber-optic illuminators and cold-light sources of different wattages to suit different applications.

### **Inspecting and archiving**

The Stemi 2000C and Stemi 2000CS models can be connected with the AxioCam MRc5 digital microscope camera or commercial digital photo- or videocameras. The Stemi 2000CS with its built-in beamsplitter allows you to do observation and documentation simultaneously.

*Stemi 2000 with darkfield epi-illumination and high-output KL 2500 LCD cold light source.*

*Added option: Remote control of KL.*



*An advantage of the 0.3x...0.5x supplementary zoom lens:*

*It varies the viewing height within  $\pm 70$  mm. Specially suited to go with cantilever and hinged-arm stands.*



*Stemi 2000C on the DA stand for inspecting large specimens.*



*Professional documentation with the AxioCam MRc5 – pin-sharp and absolutely true to color.*

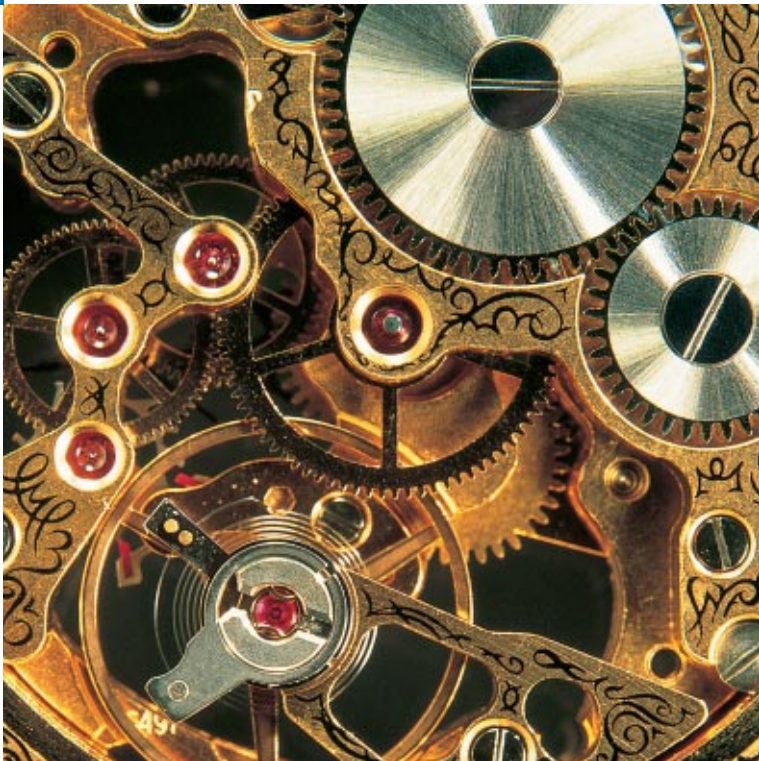




*Stemi 2000 Stereomicroscope  
with KL 200 Cold-Light Source*

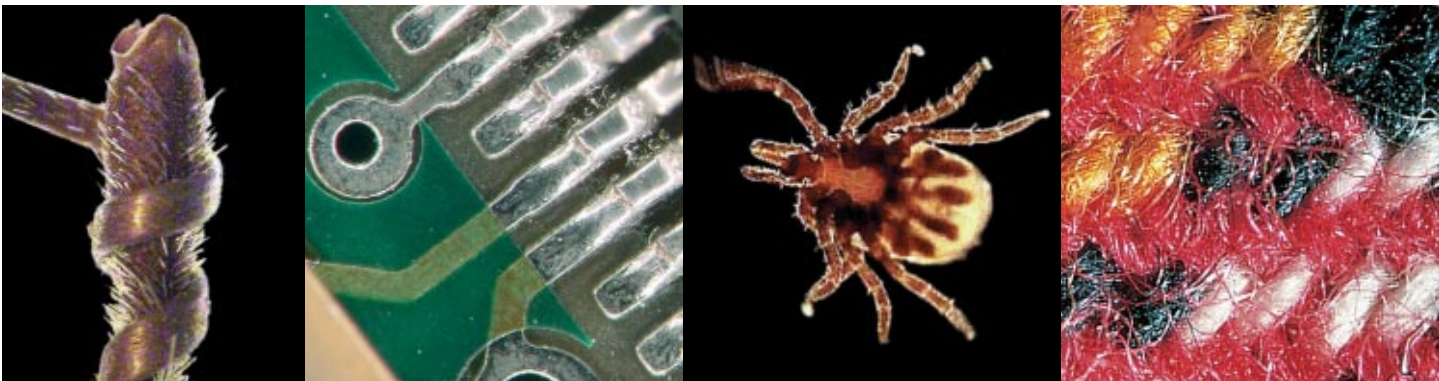
**Stemi 2000  
Stereomicroscopes  
With built-in Zeiss excellence.**

Carl Zeiss Stemi 2000 Stereomicroscopes are indisputably among the best in their class. Their excellence in contrast, depth of field and resolving power makes them the number one choice for inspecting three-dimensional objects in nature and technology, as well as in specimen preparation for research and teaching.



*Movement of a watch*

*There is hardly a field of application in which the superior brilliance of Stemi 2000 images would not prove useful.*



*Grass seed*

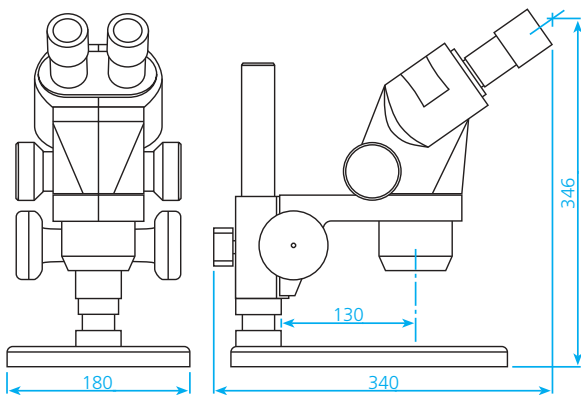
*Printed circuit board*

*Tick*

*Textile fibers*

# Specification

Supplementary lens		Eyepiece					
Factor	Free working distance (mm)	WPL 10x/23 Br. foc		WPL 16x/16 Br. foc		W 25x/10 foc	
		Magnification	Object field (mm)	Magnification	Object field (mm)	Magnification	Object field (mm)
0.3x	285	1.95x ... 15.0x	118.0 ... 15.3	3.1x ... 24.0x	82.1 ... 10.7	4.9x ... 37.5x	51.3 ... 6.7
0.3x ... 0.5x	234 ... 91	1.95x ... 25.0x	118.0 ... 9.2	3.1x ... 40.0x	82.1 ... 6.4	4.9x ... 68.8x	51.3 ... 4.0
0.4x	210	2.6 x ... 20.0x	88.5 ... 11.5	4.2x ... 32.0x	61.5 ... 8.0	6.5x ... 50.0x	38.5 ... 5.0
0.63x	130	4.1 x ... 31.5x	56.2 ... 7.3	6.6x ... 50.4x	39.1 ... 5.1	10.2x ... 78.8x	24.4 ... 3.2
none	92	6.5 x ... 50.0x	35.4 ... 4.6	10.4x ... 80.0x	24.6 ... 3.2	16.3x ... 125.0x	15.4 ... 2.0
1.25x	60	8.1 x ... 62.5x	28.3 ... 3.7	13.0x ... 100.0x	19.7 ... 2.6	20.3x ... 156.3x	12.3 ... 1.6
1.6x	48	10.4x ... 80.0x	22.1 ... 2.9	16.6x ... 128.0x	15.4 ... 2.0	26.0x ... 200.0x	9.6 ... 1.3
2.0x	31	13.0x ... 100.0x	17.7 ... 2.3	20.8x ... 160.0x	12.3 ... 1.6	32.5x ... 250.0x	7.7 ... 1.0



Stemi 2000 on stand S  
Weight: 4.2 kg

**Carl Zeiss**  
Light Microscopy  
P.O.B. 40 41  
37030 Göttingen  
GERMANY  
Phone: ++49 5 51 50 60 660  
Telefax: ++49 5 51 50 60 464  
E-Mail: [micro@zeiss.de](mailto:micro@zeiss.de)  
[www.zeiss.de/micro](http://www.zeiss.de/micro)